



LEFROY BROOKS

1 8 2 8 T R O U T M A N S T R E E T
R I D G E W O O D N E W Y O R K N Y 1 1 3 8 5 U S A
T : + 1 (7 1 8) 3 0 2 5 2 9 2 F : + 1 (7 1 8) 3 0 2 4 1 7 7

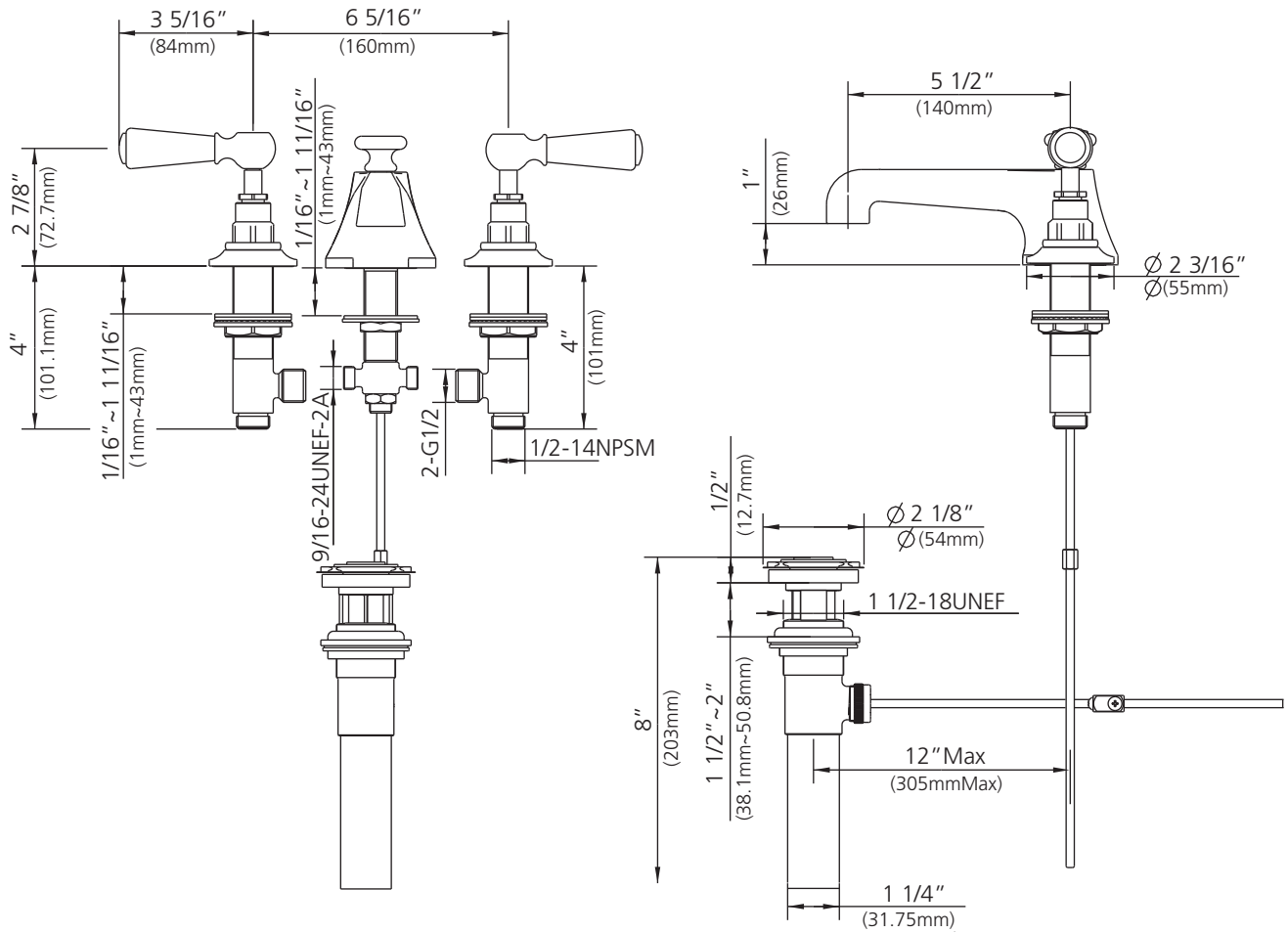
CB-1103 (BL1228)

BLACK LEVER MACKINTOSH 3-HOLE BASIN MIXER WITH POP-UP WASTE

DIMENSIONAL DATA SHEET

DATE: 06 July 2012

No: FW1B6101



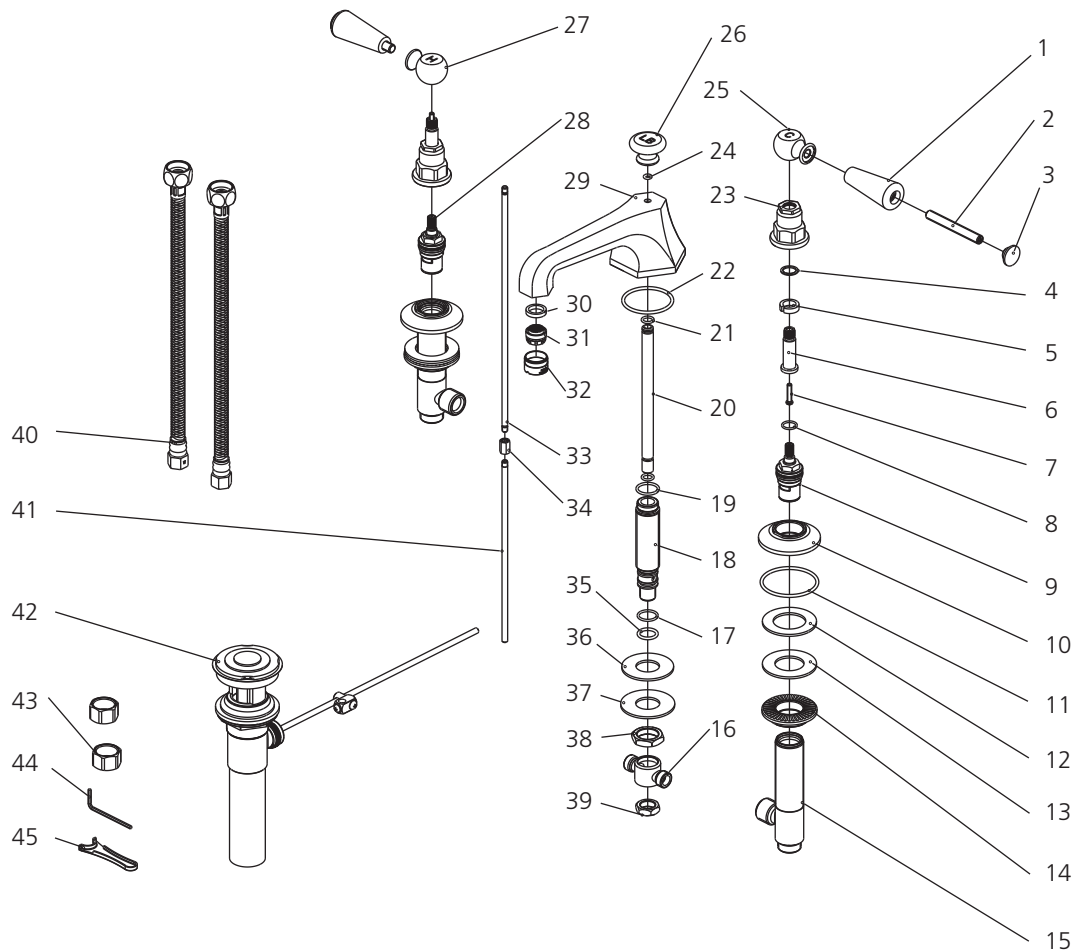
COPYRIGHT © LBIP LTD 2012. ALL RIGHTS RESERVED.

DIMENSIONS IN INCHES & MILLIMETRES

WHILST EVERY EFFORT IS MADE TO ENSURE THE ACCURACY OF THESE DATA SHEETS THEY ARE SUBJECT TO CHANGE WITHOUT NOTICE AS PART OF THE COMPANY'S PRODUCT DEVELOPMENT PROCESS

CB-1103 (BL1228)

BLACK LEVER MACKINTOSH 3-HOLE BASIN MIXER WITH POP-UP WASTE

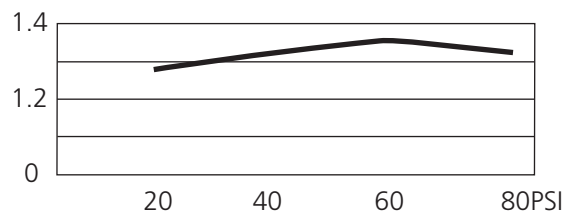


1	Handle sleeve (108924)	16	Connector (015001W)	31	Aerator insert (553648N)
2	Screw (017094)	17	O-ring (004115N)	32	Aerator housing (305800N-50)
3	Lever cap (109376)	18	Connection tube (014016W)	33	Pop-up rod (125412)
4	Washer (013224)	19	O-ring (004043N)	34	Adaptor (077125)
5	Clip (012242)	20	Brass tube (043412N)	35	O-ring (004005N)
6	Stem extension (110461)	21	O-ring (004001N)	36	Washer (060041)
7	Screw (008486)	22	O-ring (004072N)	37	Washer (013202)
8	O-ring (048085)	23	Canopy (018220)	38	Nut (009009)
9	Cartridge (C) (507176W)	24	O-ring (048027N)	39	Nut (009002)
10	Escutcheon (215486)	25	Lever seat (C) (205143C)	40	Flexible hose (105750W)
11	O-ring (004627)	26	Pop-up knob (124409)	41	Pop-up rod (110041)
12	Oil-seal (010017)	27	Lever seat (H) (205143H)	42	Pop-up sub-assembly (556781)
13	Washer (013158)	28	Cartridge (H) (507175W)	43	Coupling nut (504003)
14	Nut (009834)	29	Spout (002252W)	44	Allen key (031000)
15	Body (061893W)	30	Oil-seal (010095N)	45	Wrench (031025)

Standards

IAPMO/cUPC Listed
Meets NSF 61-9
Meets A112.18.1

Flow Rate



Please note :

Final achievable flow rate is dependent on the outlets fitted, see relevant outlets (spouts, roses, sprays) for fully assembled product flow rate.